



Electrolux
PROFESSIONAL

**Modular Cooking Range Line
900XP Electric Cylindrical Boiling
Pan 150lt automatic refill**

ITEM # _____

MODEL # _____

NAME # _____

SIS # _____

AIA # _____



391121 (E9BSEHIRFR)

150-lt electric Boiling Pan with pressure switch, indirect heating, with automatic double-jacket refill

Short Form Specification

Item No. _____

To be installed on cantilever systems but also incorporates fixing points for bridging. Incoloy armoured elements with safety thermostat positioned in the jacket cavity base. Automatic water refill through electrovalve. Exterior panels of unit in stainless steel with Scotch Brite finish. Double jacketed lid made in 3mm thick AISI 316 stainless steel. Pressed well with rounded edges manufactured from AISI 316 stainless steel. Right-angled side edges to allow flush-fitting junction between units. Includes safety valve to control working pressure. Temperature limiter for power regulation allowing precise temperature cooking.

Main Features

- Round kettle is suitable to cook, sauté or poach all kinds of produce.
- Produce is uniformly heated in the base and side walls of the kettle by an indirect heating system that uses integrally generated saturated steam at a temperature of 110° C in the jacket.
- Incoloy armoured elements with safety thermostat positioned in the jacket cavity base.
- External valve allows to manually evacuate excess air accumulated in the jacket during heating phase.
- Appliance is IPX5 water resistance certified.
- Manometer allows to correctly control the functioning of the pan.
- Energy regulation through a control knob.
- Safety thermostat protects against low water level.
- Safety valve avoids overpressure of the steam in the jacket.
- No overshooting of cooking temperatures, fast reaction.
- Large capacity food tap enables safe and effortless discharging of contents.
- Ergonomic: the depth of the vessel facilitates stirring the food, also the most delicate food.
- Discharge tube and tap are very easy to clean from outside.
- Solenoid valve automatically refills vessel with water.
- Smooth large surfaces, easy access for cleaning.
- The special design of the control knob system guarantees against water infiltration.
- Minimum load for correct functioning is 20 liters.

Construction

- Pressed cooking vessel and double jacket in 316 AISI Stainless steel.
- All exterior panels in Stainless Steel with Scotch Brite finishing.
- Model has right-angled side edges to allow flush fitting joints between units, eliminating gaps and possible dirt traps.

Sustainability



- Kettle shall be double jacketed including high quality thermal insulation of the pan, saving energy and keeping ambient temperature low.
- Firmly fitting cover to reduce cooking time and save energy costs.
- Closed heating system – no waste of energy.
- Pressure switch control monitors energy and water consumption.

Included Accessories

- 1 of Water additive against corrosion for indirect boiling pans PNC 927222

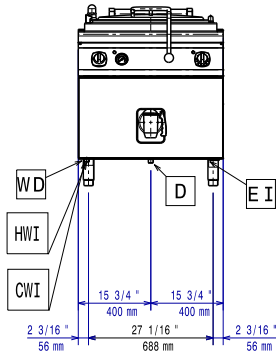
Optional Accessories

APPROVAL: _____

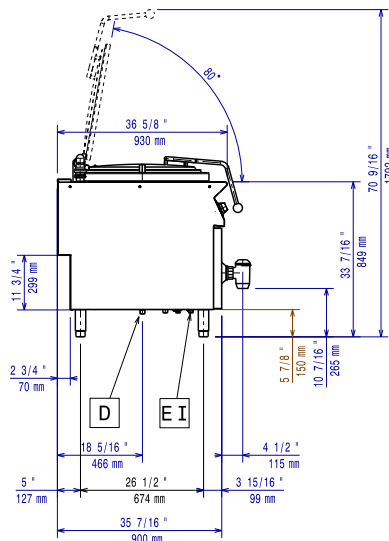


Experience the Excellence
www.electroluxprofessional.com

Front

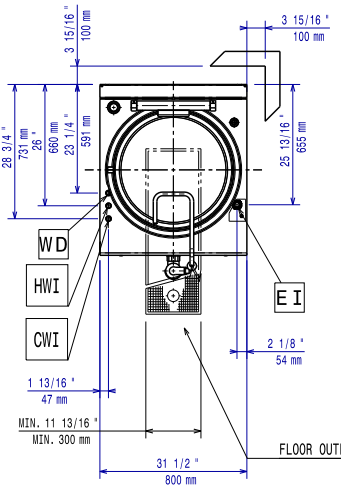


Side



- CWI = Cold Water inlet 1 (cleaning)
 D = Drain
 EI = Electrical inlet (power)
 HWI = Hot water inlet

Top



Electric

Supply voltage:

380-400 V/3N ph/50/60 Hz

391121 (E9BSEHIRFR)

Total Watts:

21.5 kW

380-400V 3N~ 50/60Hz

Predisposed for:

19,5-21,5kW

Key Information:

Pan useful capacity:

143 lt

Vessel (round) diameter:

600 mm

Net weight:

135 kg

Shipping weight:

132 kg

Shipping height:

1180 mm

Shipping width:

1140 mm

Shipping depth:

880 mm

Shipping volume:

 1.18 m³

No clearance needed on rear sides of unit if wall is of non combustible type. If wall is combustible, minimum 50 mm wall clearance should be maintained.

Certification group:

N9PIE